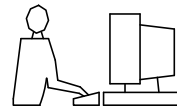


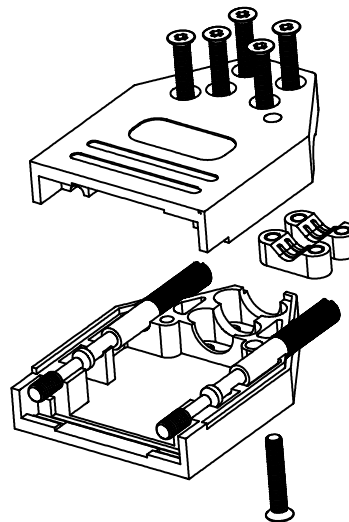
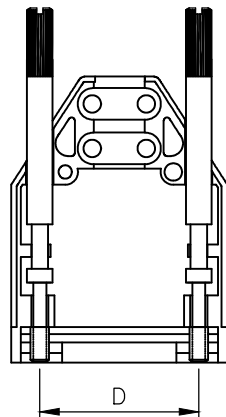
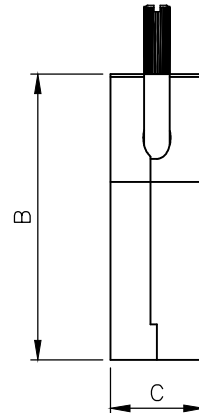
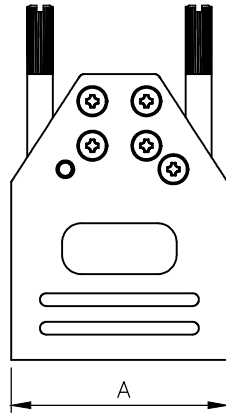
THIS IS A C.A.D. GENERATED DRAWING
DO NOT MAKE MANUAL REVISIONS TO MASTER.



* UNLESS OTHERWISE SPECIFIED TOLERANCES
ON DECIMAL IS: ANGLE $\pm 1^\circ$
UNIT: MM .XX ± 0.35

BACKSHELL KIT INCLUDES:

- (2)BACKSHELL HALVES
- (2)4-40 THUMBSCREWS
- (6)CLAMP SCREWS
- (2)CLAMPS



DIMENSIONS(mm/in)				
SIZE	A $\pm_{\pm 0.02}^{.50}$	B $\pm_{\pm 0.02}^{.50}$	C $\pm_{\pm 0.02}^{.50}$	D $\pm_{\pm 0.01}^{0.25}$
9	34.0	45.0	14.6	24.99
	1.34	1.77	0.57	0.984
15	43.0	45.0	14.6	33.32
	1.69	1.77	0.57	1.312
25	56.5	45.0	14.6	47.04
	2.22	1.77	0.57	1.852
37	73.0	45.0	14.6	63.50
	2.87	1.77	0.57	2.500
50	71.0	45.0	17.4	61.00
	2.80	1.77	0.69	2.402

ORDERING INFORMATION:

SIZE	P/N - KITTED	PRODUCT CODE
9-WAY	6560-0305-01	MHDTZI09-K
15-WAY	6560-0305-02	MHDTZI15-K
25-WAY	6560-0305-03	MHDTZI25-K
37-WAY	6560-0305-04	MHDTZI37-K
50-WAY	6560-0305-05	MHDTZI50-K

BACKSHELL MATERIAL:
PLATING:
JACKSCREWS:
CLAMP SCREWS:
CLAMPS:
OPERATING TEMP:

DIE-CAST ZINC ALLOY
NICKEL
STEEL:NICKEL PLATED
STEEL:ZN PLATED
ZINC DIE CAST
-40°C TO+120°C

THESE DRAWINGS AND SPECIFICATIONS ARE THE PROPERTY OF MH CONNECTORS AND SHALL NOT BE REPRODUCED, COPIED OR USED AS THE BASIS FOR THE MANUFACTURE OR SALE OF APPARATUS WITHOUT WRITTEN PERMISSION.

DRAWN
Johnny
DATE
11-24-15

APPROVED
Victor Lin
DATE
11-24-15

SCALE
1 : 1
SHEET OF
1 OF 1
REV:
6.0

DRAWING No
MHDTZI-SERIES



THIS SERIES FULLY CONFORMS TO THE EUROPEAN UNION DIRECTIVES 2002/95/EC AND 2002/96/EC FOR RoHS COMPLIANCY.



**MH CONNECTORS ,
DIVISION OF EDAC**